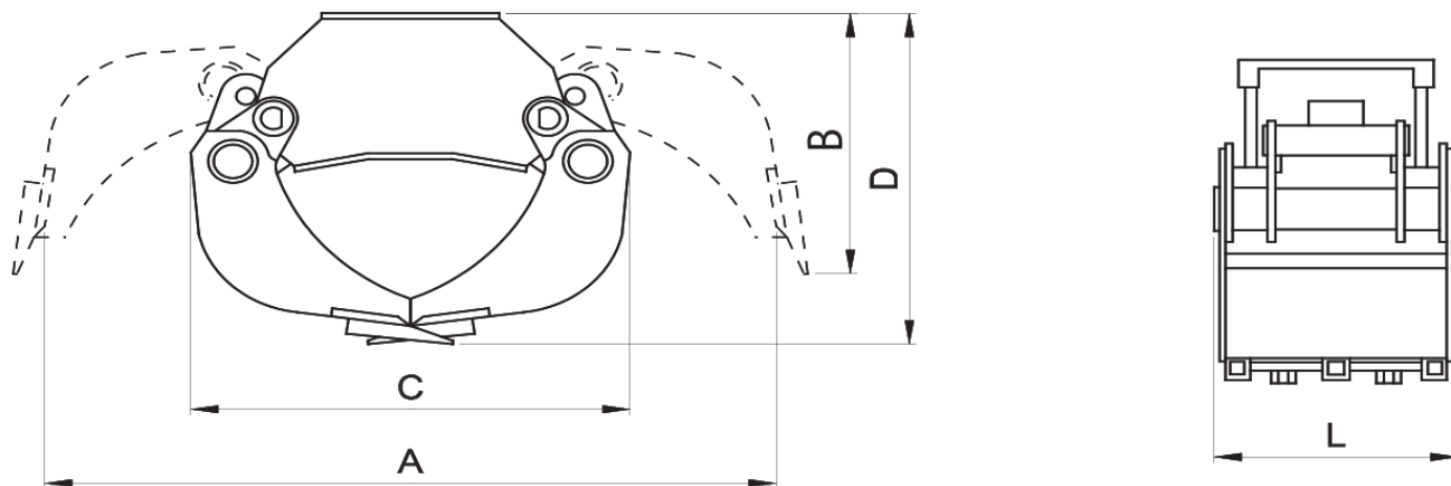


## DIMENZIJE – TEHNIČNI LIST (DIMENSIONS – TECHNICAL DATA)



	Nosilnost (Carrying capacity)	Masa (Weight)	Max. pritisk (max. pressure)	Bager (Excavator)	Max. pretok olja (max. oil flow)	A	B	C	D	L
	[kg]	[kg]	[bar]	[ton]	[L/min]	[mm]				
BSG 300 TG	500	75	200	1 - 3	20	875	550	560	570	325
BSG 400 TG	1000	165	200	3 - 5	20	1100	550	650	650	425
BSG 500 TG	1500	215	200	5 - 6	30	1350	800	730	680	540
BSG 600 TG	2000	285	200	6 - 10	30	1500	700	960	800	640

<b>Dobavitelj / Supplier:</b>	Italija / Italy
<b>Vračilo ali menjava / Return or exchange:</b>	14 dni / 14 days
<b>Garancija / Warranty:</b>	6 mesecev / 6 months
<b>Material:</b>	<b>Ohišje</b> - jeklo S420, <b>stranice</b> - HARDOX (HB 400/450), <b>sorniki</b> - kovano jeklo (39NCD3) <b>Housing</b> - steel (S420), <b>sides</b> - HARDOX (HB 400/450), <b>pins</b> - forged steel (39NCD3)